

2011-2012 EPSA WOMEN'S CUP TOURNAMENT

Round 1

Final

10/23/11

11/06/11

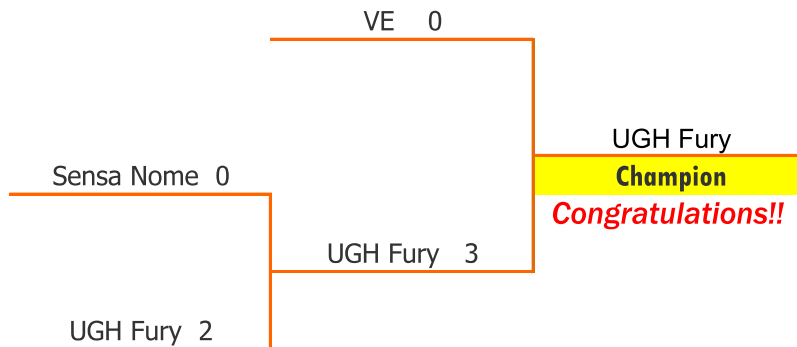
3:00 PM

2:00 PM

11/7/2011

Seeded Team:

VE



- 1 All games are scheduled to start at 2 pm unless otherwise noted
- 2 Any rounds that are cancelled by the Cup Commissioner due to weather will be played on the next scheduled date for that competition or as rescheduled by the Cup Commissioner
- 3 The Top Team listed is the home team for Rounds 1 and 2 only
- 4 **REMINDER: Both teams are to email the Cup Commissioner (rhbchem@aol.com) and EPSA (eastpasa@verizon.net) the final game score no later than 8 pm the day of the match. The fine is \$25 for not reporting the score on time.**